



ISCOM HT803G-1GC GPON Home Terminal

▼ Introduction

Raisecom ISCOMHT803G-1GC is a new-generation GPON home terminal with plastic shell. It provides a 1000 Mbit/s LAN interface and 1 CATV, which can be connected to a home gateway device for high bandwidth data services. Featuring small size and low weight, it facilitates deployment in a splice box and network expansion and reconstruction.

It adopts 12V DC power, with low power consumption and environmental protection feature. Its appearance showed as below:

▼ Features

- Feature small size, attractive appearance, and low weight, thus applicable to home use.
- Comply with ITU-T G.984/G.988 and China telecom standards.
- Feature low price, thus able to lower cost on constructing FTTH network for a single user and applicable to massive deployment.
- Support being preconfigured for different groups of users, thus able to plug and play upon home installation and facilitate service activation, operation, and maintenance.
- Pass carriers' internetworking test and concentrated purchase test, thus able to internetwork with other vendors' OLT.

International Headquarters

Raisecom Building, No. 11, East Area, No. 10 Block, East Xibeiwang Road, Haidian District, Beijing, 100085, China
Tel: +86 10 8288 3305
Fax: +86 10 8288 3056
Email: export@raisecom.com

U.S.A. Headquarters

19337 US 19 North, Suite 306
Clearwater, Florida. 33764. USA.
Tel: +1 888 816 4808
Fax: +1 727 547 9124
Email: sales@raisecomusa.com

Copyright ©1999- 2017

All rights reserved

Technical information is subjected to change without notice



▼ Specifications

Physical features	
Dimensions	140 mm (Length) × 105 mm (Width) × 40 mm (Height)
Weight	< 0.5 kg
Maximum power consumption	< 6 W
Input of power adapter	100–240 VAC (50/60 Hz)
Output of power adapter	12 VDC, 0.5 A
Operating temperature	0–50°C
Operating humidity (RH)	10%–93% (non-condensing)
Software features	
GPON	<ul style="list-style-type: none"> • Support ITU-T G.984.x (1, 2, 3, and 4) and G.988. • Support 8 T-CONTs and 32 GEMs. • Support multiple authentication modes, such as SN, password, and LOID. • Support DBA of the OLT. • Support silence, with the time of 60s. • Support AES-128 encryption.
Ethernet interface	<ul style="list-style-type: none"> • Support 10/100 Mbit/s auto-negotiation and 1000 Mbit/s full duplex and flow control. • Support statistics of unicast packets, multicast packets, and broadcast packets on the interface. • Support configuring MTU to 1518–2030, with the MTU being 1518 by default. • Support interface-based storm control over DLF packets, unknown multicast packets, and broadcast packets.
CATV	<ul style="list-style-type: none"> • Optical connector form: SC/APC • Range of the CATV Rx wavelength: 1100–1600 nm • Range of the Rx optical power: -15 to 2 dBm • The RF output impedance is 75 Ω, with a British F connector, supporting downlink transmission only instead of uplink backhaul. • RF output level: > 82 dBuV • CSO: ≥ 62 dB; CTB: ≥ 65 dB; CNR: ≥ 51 dB

International Headquarters

Raisecom Building, No. 11, East Area, No. 10 Block, East Xibeiwang Road, Haidian District, Beijing, 100085, China
Tel: +86 10 8288 3305
Fax: +86 10 8288 3056
Email: export@raisecom.com

U.S.A. Headquarters

19337 US 19 North, Suite 306 Clearwater, Florida. 33764. USA.
Tel: +1 888 816 4808
Fax: +1 727 547 9124
Email: sales@raisecomusa.com

Copyright ©1999- 2017

All rights reserved

Technical information is subjected to change without notice



MAC address	Support MAC addressing learning and aging.
Loop detection	<ul style="list-style-type: none"> Support shutting down an interface and sending a link down trap when a loop occurs on the interface. Support restoring an interface and sending a link up trap when a loop is eliminated on the interface.
VLAN	<ul style="list-style-type: none"> Support IEEE 802.1Q. Support CTC VLAN modes: transparent transmission, Tag, Trunk, and mapping.
QoS/ACL	<ul style="list-style-type: none"> Support classifying Layer 2 traffic by matching fields, such as the destination MAC address, source MAC address, VLAN ID, and CoS. Support classifying Layer 3 traffic by matching fields, such as the destination IP address, source IP address, and type of IP protocol. Support configuring actions for traffic classification based on QoS or ACL. Support SP, WRR, or WDRR queue scheduling.
Multicast	<ul style="list-style-type: none"> Support IGMP Snooping. Support configuring multicast VLANs. Support multicast immediate leave.
Maintenance and management	<ul style="list-style-type: none"> Support OMCI management and ITU-T G.984/G.988 and China telecom standards. Support OLT management and Web management. Support interface Up/Down alarms, and power failure alarm. Support configuring and querying thresholds of optical module parameters.
GPON interface parameters	
Standard	ITU-T G.984/G.988
Rate	<ul style="list-style-type: none"> Uplink: 1.25 Gbit/s Downlink: 2.5 Gbit/s
Transmission distance	≤ 20 km
Interface type	SC/APC
Cable type	Single-mode fiber
Central wavelength	<ul style="list-style-type: none"> Tx: 1310 nm Rx: 1490 nm

International Headquarters

Raisecom Building, No. 11, East Area, No. 10 Block, East Xibeiwang Road, Haidian District, Beijing, 100085, China
 Tel: +86 10 8288 3305
 Fax: +86 10 8288 3056
 Email: export@raisecom.com

U.S.A. Headquarters

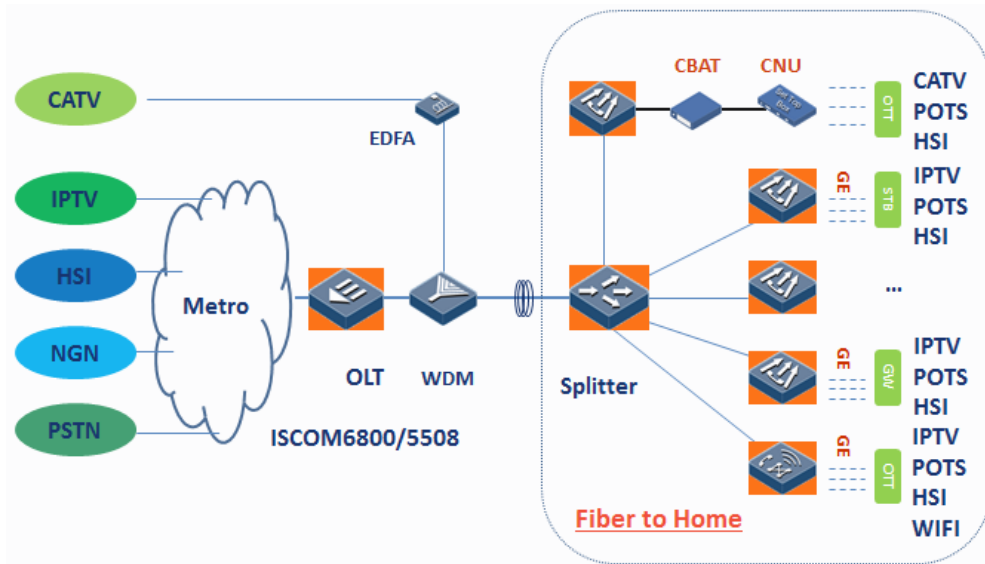
19337 US 19 North, Suite 306
 Clearwater, Florida. 33764. USA.
 Tel: +1 888 816 4808
 Fax: +1 727 547 9124
 Email: sales@raisecomusa.com

Copyright ©1999- 2017

All rights reserved

Technical information is subjected to change without notice

▼ Typical application



Networking Highlights

- Use the ONU at home directly.
- Use the high-capacity and high-density ISCOM6800 to access services of massive ONUs.
- Actual installation rate is the key to profit.
- Provide users with high bandwidth and support various new services.
- The ONU supports being configured offline and plug and play, thus speeding up service activation.
- Provide various methods for locating faults (fiber breakage, power failure, and loops).
- Guarantee user experience, improve user rate renewal, and increase customer's profit.

International Headquarters

Raisecom Building, No. 11, East Area, No. 10 Block, East Xibeiwang Road, Haidian District, Beijing, 100085, China
Tel: +86 10 8288 3305
Fax: +86 10 8288 3056
Email: export@raisecom.com

U.S.A. Headquarters

19337 US 19 North, Suite 306 Clearwater, Florida. 33764. USA.
Tel: +1 888 816 4808
Fax: +1 727 547 9124
Email: sales@raisecomusa.com

Copyright ©1999- 2017

All rights reserved
Technical information is subjected to change without notice



Ordering information

Model	Version	Description
ISCOM HT803G-1GC	T	GPON uplink, 1 GE and 1 CATV interface, plastic-shell SFU

- ◆ The ONTs can be ordered with: European, American, UK and Brazilian adaptor

International Headquarters

Raisecom Building, No. 11, East Area, No. 10 Block, East Xibeiwang Road, Haidian District, Beijing, 100085, China
Tel: +86 10 8288 3305
Fax: +86 10 8288 3056
Email: export@raisecom.com

U.S.A. Headquarters

19337 US 19 North, Suite 306
Clearwater, Florida. 33764. USA.
Tel: +1 888 816 4808
Fax: +1 727 547 9124
Email: sales@raisecomusa.com

Copyright ©1999- 2017

All rights reserved

Technical information is subjected to change without notice