



# Fiber Optic Splice Closures GJS03

Product Catalogue

## GJS03 Series Description

GJS03 series is high-quality fiber optic splice closures which are specially designed to ensure high protection and full recovering of physical construction and functionality of connected optical cables. The dome material is mixed with chemical agents in order to increase the resistant of corrosion and aging and also to provide longtime UV-protection.

It can be installed in aerial locations, ducted applications, direct buried, manholes. Small volume but large capacity.

### Main Features

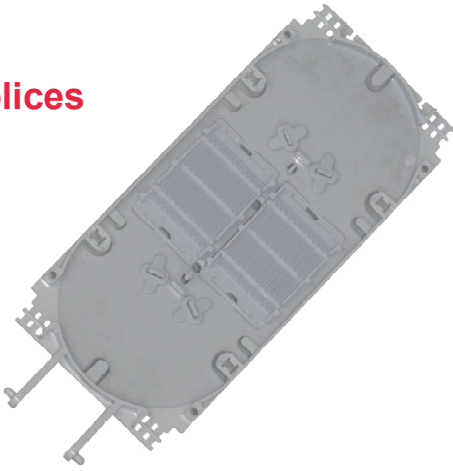
- ❖ Excessive fibers can be stored in storage baskets. Easy in fiber management.
- ❖ Fabricated by mixing the imported material and other chemical assistant agent (ageing resistance & ultraviolet radiation resistance), increase of service life
- ❖ Base-to-dome seals on closure are mechanical and heat-shrinkable for ease of installation and reentry. No other sealing adhesive tape is needed
- ❖ Base and dome sealed with clamp and O-ring system
- ❖ The splice trays are hinged for access to any splice without disturbing others trays
- ❖ The inner parts and fixing parts are made of stainless steel
- ❖ Closure with a earthing device protect it from damage by lightning
- ❖ Compatible with most cable types (single fiber or ribbon), and cable constructions (loose tube, central core, slotted core, modular). And the product can be used in any environment (aerial, buried, hand-hole, manhole) and in many applications (tap-off, expressed, branch, and repair)

### GJS03 Series Specifications

Model / Series	GJS03
<b>Material</b>	
- dome and base	PP alloy
- splice tray	ABS
- splice protectors	heat-shrinkable tube with metallic strength member
<b>Atmospheric pressure</b>	70 ~ 150kPa
<b>Working temperature</b>	- 40 ~ + 70°C
<b>Axial tension</b>	> 2000N / 1min
<b>Stretching resistance</b>	2500N / 10 cm <sup>2</sup> (1min)
<b>Insulation resistance</b>	> 2 x 10 <sup>4</sup> MΩ
<b>Voltage strength</b>	15kV / 1min, no arcover or breakdown
<b>Pressure in the water</b>	50m / 72hours
<b>Splice tray with optical taking-in radius</b>	≥ 40mm (ensured low optical loss)
<b>Cable sealing method</b>	Heat-shrinkable seals
<b>Application environment</b>	Aerial, Buried, Pipe-lined

## Splice Trays

**S1, 24 splices**



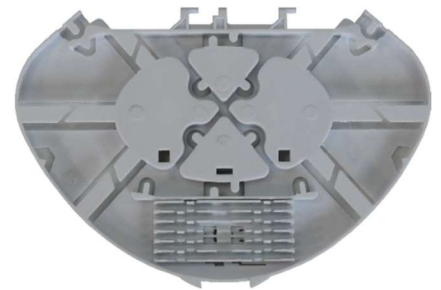
**B2, 24 splices**



**S2, 24 splices**



**ST-MxAX, 12 splices**



## Plastic Baskets

**For GJS03 A4 & A8**



**For GJS03 B4**



## GJS03 A4 with S1 splice tray

A closure can accommodate up to 6 trays with a capacity of 24 fiber splices each. The splice protectors are placed in the middle of the tray.

The FO closure design allows using loose tube storage baskets behind the splice trays.

Available two splice tray support modules – metallic and plastic.

1 oval and 4 round cable ports



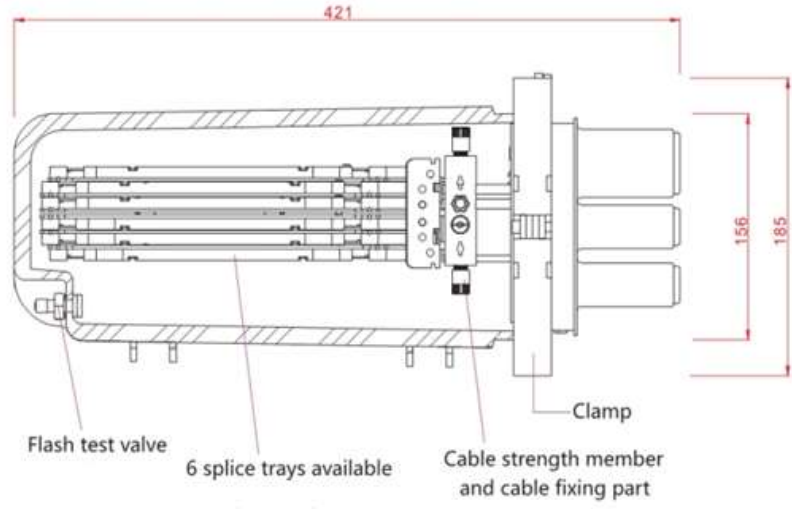
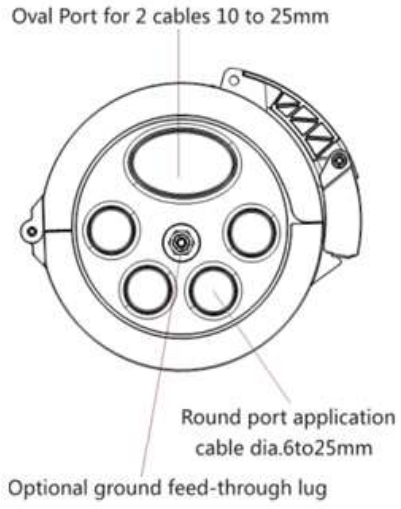
### Technical Specification

Model	GJS03-A4-S1		
Splice tray type	S1		
Product name	A4-S1-144-M	A4-S1-96-P	A4-S1-48-P-SB
KST product code	7.6222/OSP	7.6226/OSP	7.6242/OSP
Closure capacity	144 fibers	96 fibers	48 fibers
Maximum capacity	144 fibers	96 fibers	96 fibers
Splice tray holder material	metallic	PP alloy	
Storage basket	option*	option	yes
Number of entry ports			
- oval port:	1		
- round port:	4		
Applicable cable diameter, mm			
- oval port:	10 - 25mm		
- round port:	6 - 25mm		
Number of splice trays	6	4	2
Splice tray capacity	24 single fibers		
Splice protector position	in the middle of the tray		
Number of splice protectors	144	96	48
Splice protector length	45mm		
Dimension	421 x 185mm		

### Pictures



## Exterior Structure Diagram



## GJS03 A4 with S2 splice tray

A closure can accommodate up to 6 trays with a capacity of 24 fiber splices each. The splice protectors are placed in both sides of the tray.

The FO closure design allows using loose tube storage baskets behind the splice trays.

Available two splice tray support modules – metallic and plastic.

1 oval and 4 round cable ports



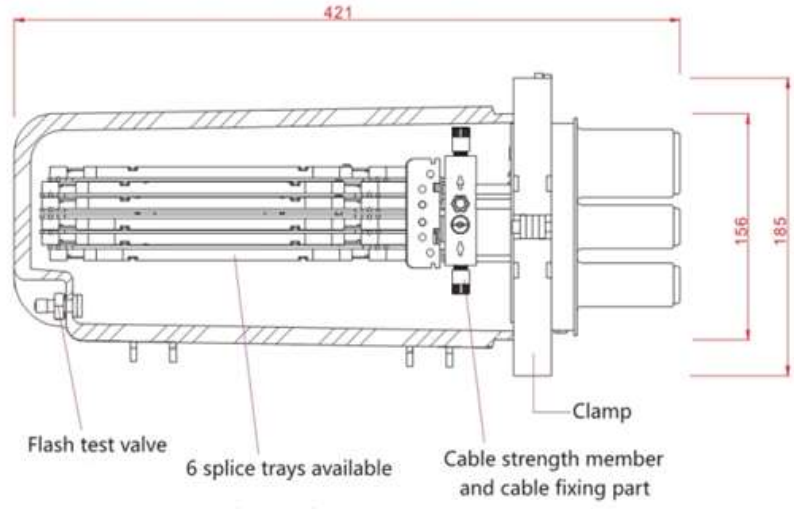
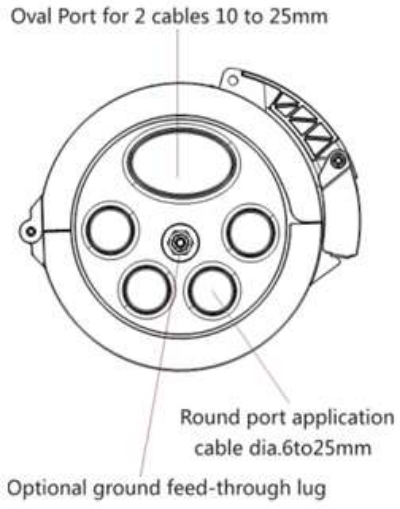
### Technical Specification

Model	GJS03-A4-S2			
Splice tray type	S2			
Product name	A4-S2-144-M	A4-S2-96-P	A4-S2-48-P	A4-S2-48-M
KST product code	7.6230/OSP	7.6224/OSP	7.6246/OSP	7.6236/OSP
Closure capacity	144 fibers	96 fibers	48 fibers	48 fibers
Maximum capacity	144 fibers	96 fibers	96 fibers	144 fibers
Splice tray holder material	metallic	PP alloy	PP alloy	metallic
Storage basket	option*	option	option	option*
Number of entry ports				
- oval port:	1			
- round port:	4			
Applicable cable diameter, mm				
- oval port:	10 - 25mm			
- round port:	6 - 25mm			
Number of splice trays	6	4	2	2
Splice tray capacity	24 single fibers			
Splice protector position	on both sides of the tray			
Number of splice protectors	144	96	48	48
Splice protector length	45mm			
Dimension	421 x 185mm			

### Pictures



## Exterior Structure Diagram



## GJS03 A8 with S1 splice tray

A closure can accommodate up to 4 trays with a capacity of 24 fiber splices each. The splice protectors are placed in the middle of the tray.

The FO closure design allows using loose tube storage baskets behind the splice trays.

Available only plastic spice tray support module.

1 oval and 8 round cable ports



### Technical Specification

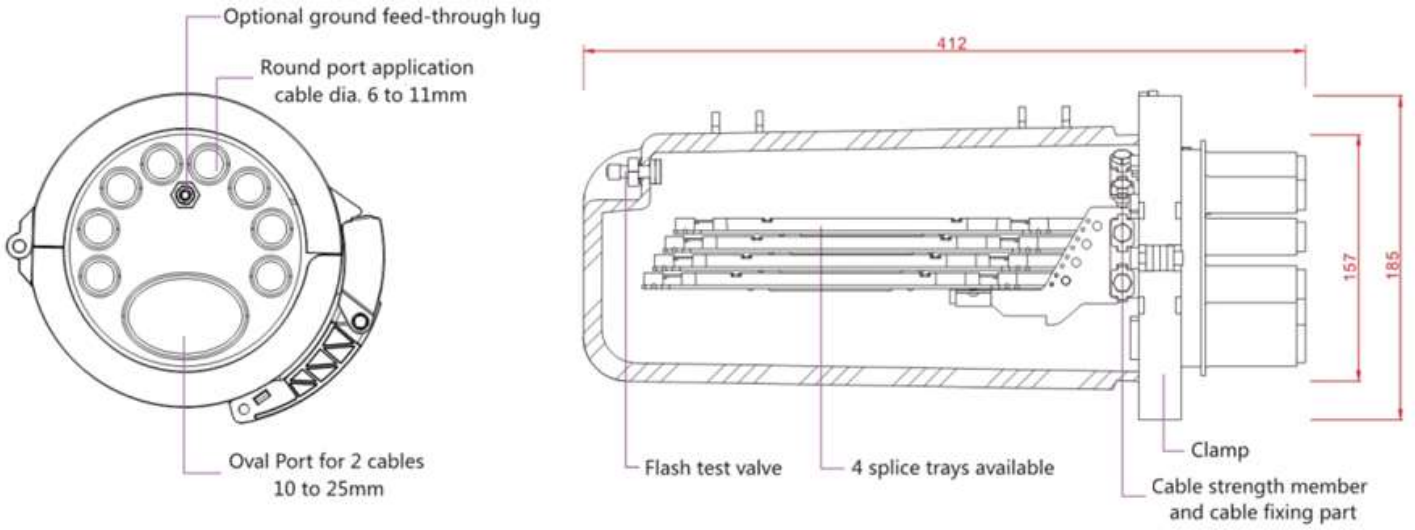
Model	GJS03-A8-S1	
Splice tray type	S1	
Product name	A8-S1-96-P	A8-S1-48-P-SB
KST product code	7.6227/OSP	7.6244/OSP
Closure capacity	96 fibers	48 fibers
Maximum capacity	96 fibers	96 fibers
Splice tray holder material	PP alloy	
Storage basket	option	yes
Number of entry ports		
- oval port:	1	
- round port:	8	
Applicable cable diameter, mm		
- oval port:	10 - 25mm	
- round port:	6 - 25mm	
Number of splice trays	4	2
Splice tray capacity	24 single fibers	
Splice protector position	in the middle of the tray	
Number of splice protectors	96	48
Splice protector length	45mm	
Dimension	412 x 185mm	

### Pictures





## Exterior Structure Diagram



## GJS03 A8 with S2 splice tray

A closure can accommodate up to 4 trays with a capacity of 24 fiber splices each. The splice protectors are placed in both sides of the tray.

The FO closure design allows using loose tube storage baskets behind the splice trays.

Available only plastic splice tray support module.

1 oval and 8 round cable ports



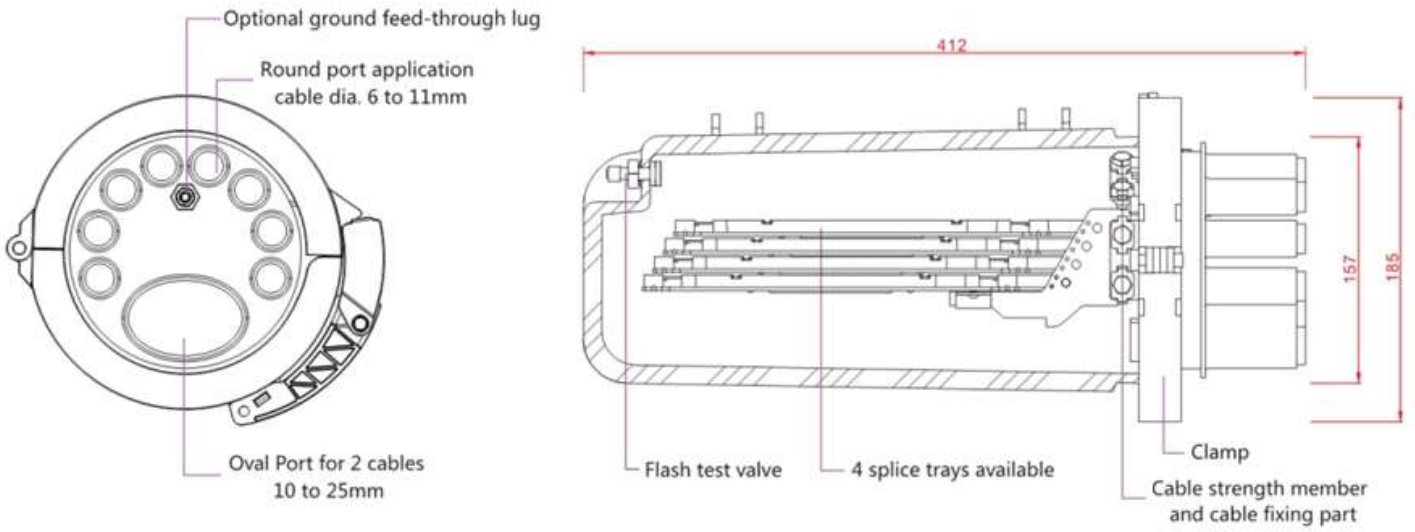
### Technical Specification

Model	GJS03-A8-S2	
Splice tray type	S2	
Product name	A8-S2-96-P	A8-S2-48-P
KST product code	7.6225/OSP	7.6228/OSP
Closure capacity	96 fibers	48 fibers
Maximum capacity	96 fibers	96 fibers
Splice tray holder material	PP alloy	
Storage basket	option	option
Number of entry ports		
- oval port:	1	
- round port:	8	
Applicable cable diameter, mm		
- oval port:	10 - 25mm	
- round port:	6 - 25mm	
Number of splice trays	4	2
Splice tray capacity	24 single fibers	
Splice protector position	in the middle of the tray	
Number of splice protectors	96	48
Splice protector length	45mm	
Dimension	412 x 185mm	

### Pictures



## Exterior Structure Diagram



## GJS03 B4 with B2 splice tray

A closure can accommodate up to 6 trays with a capacity of 24 fiber splices each. The splice protectors are placed in both sides of the tray.

The FO closure design allows using loose tube storage baskets behind the splice trays.

Available only plastic splice tray support module.

1 oval and 4 round cable ports



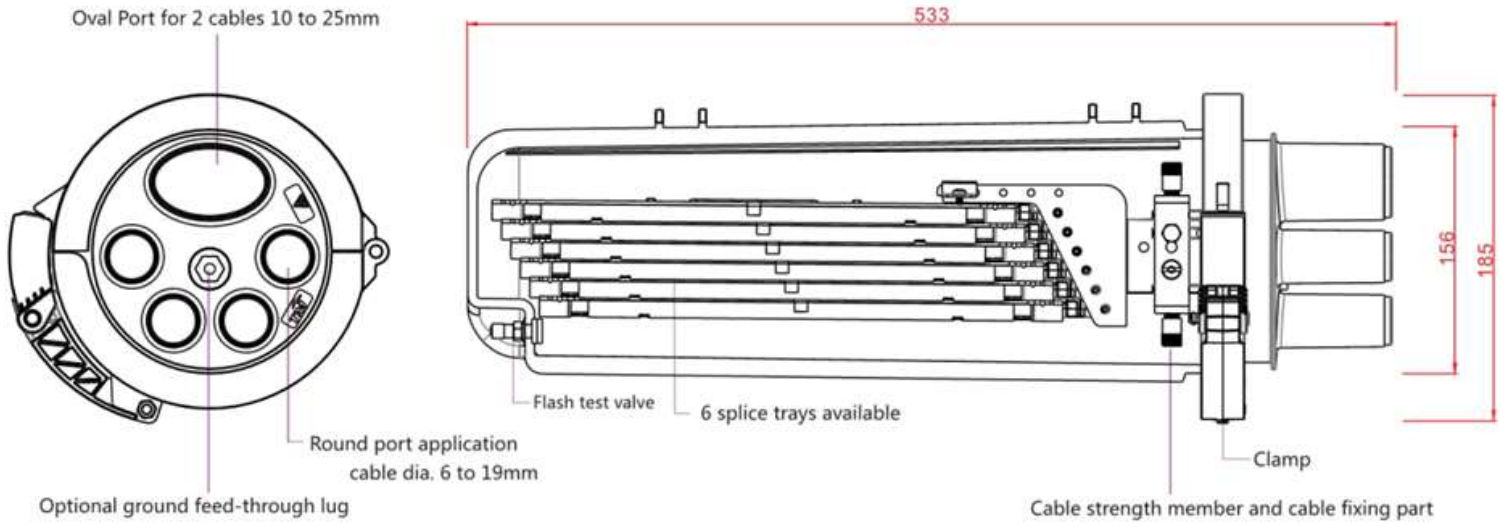
### Technical Specification

Model	GJS03-B4-B2	
Splice tray type	B2	
Product name	B4-B2-144-P	B4-B2-144-P-SB
KST product code	7.6220/OSP	-
Closure capacity	144 fibers	
Maximum capacity	144 fibers	
Splice tray holder material	PP alloy	
Storage basket	option	yes
Number of entry ports		
- oval port:	1	
- round port:	4	
Applicable cable diameter, mm		
- oval port:	10 - 25mm	
- round port:	6 - 25mm	
Number of splice trays	6	
Splice tray capacity	24 single fibers	
Splice protector position	on both sides of the tray	
Number of splice protectors	144	
Splice protector length	45mm	
Dimension	533 x 185mm	

### Pictures



## Exterior Structure Diagram



# GJS03 B8 with B2 splice tray

A closure can accommodate up to 6 trays with a capacity of 24 fiber splices each. The splice protectors are placed in both sides of the tray.

Available two splice tray support modules – metallic and plastic.

1 oval and 8 round cable ports



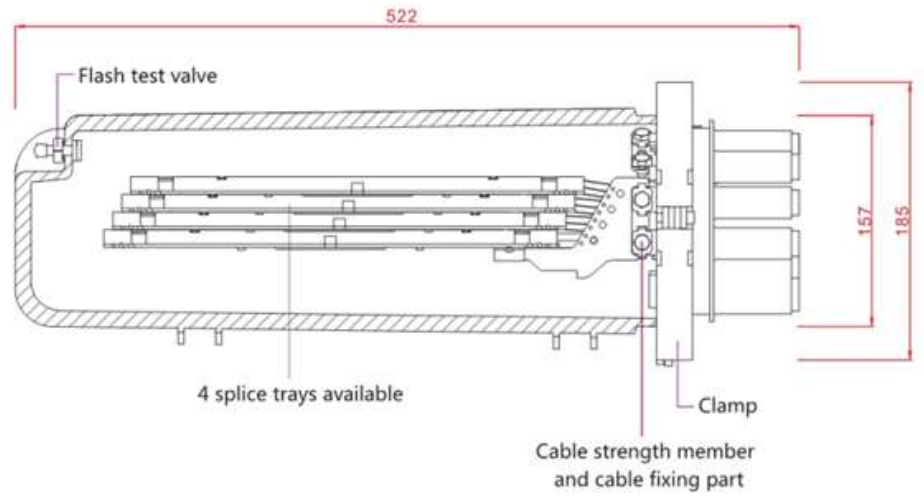
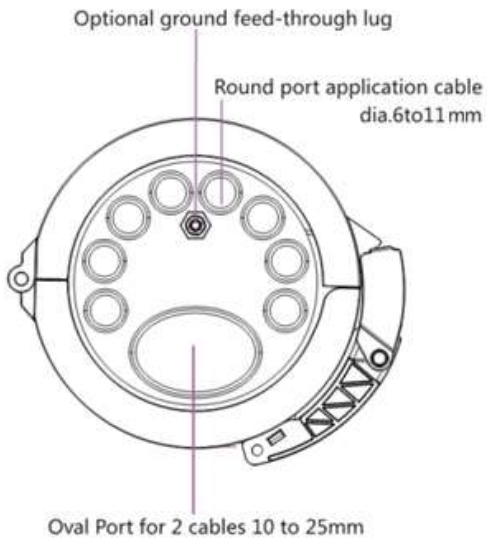
## Technical Specification

Model	GJS03-B8-B2	
Splice tray type	B2	
Product name	B8-B2-144-P	B8-B2-144-M
KST product code	7.6247/OSP	7.6240/OSP
Closure capacity	144 fibers	
Maximum capacity	144 fibers	
Splice tray holder material	PP alloy	metallic
Storage basket	no	no
Number of entry ports		
- oval port:	1	
- round port:	8	
Applicable cable diameter, mm		
- oval port:	10 - 25mm	
- round port:	6 - 25mm	
Number of splice trays	6	
Splice tray capacity	24 single fibers	
Splice protector position	on both sides of the tray	
Number of splice protectors	144	
Splice protector length	45mm	
Dimension	522 x 185mm	

## Pictures



## Exterior Structure Diagram



## GJS03-M5AX, max. 288 splices

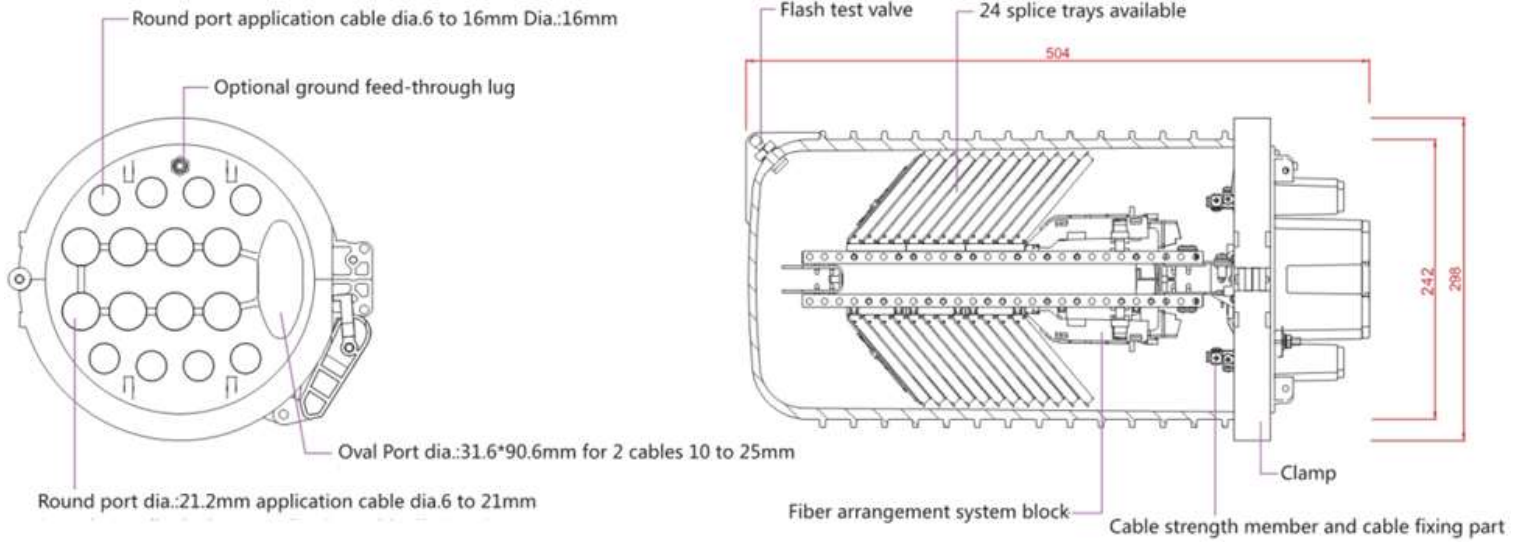


### Parameter Table

Model	GJS03-M5AX
Splice tray type	ST-MxAX
Product name	M5AX-288
KST product code	7.6233/OSP
Closure capacity	288 fibers
Maximum capacity	288 fibers
Splice tray holder material	PP alloy
Storage basket	no
Number of entry ports	
- oval port:	1
- round port:	8 + 8*
Applicable cable diameter, mm	
- oval port:	10 - 25mm
- round port:	8ports: 6 - 21mm 8ports: 6 - 16mm *
Number of splice trays	24
Splice tray capacity	12 single fibers
Splice protector position	in the middle of the tray
Number of splice protectors	288
Splice protector length	40mm
Dimension	504 x 298mm



## Exterior Structure Diagram



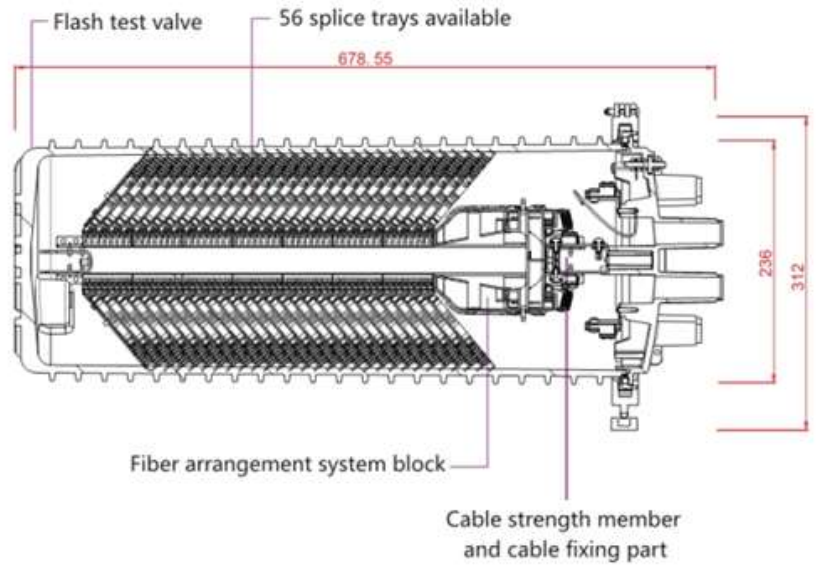
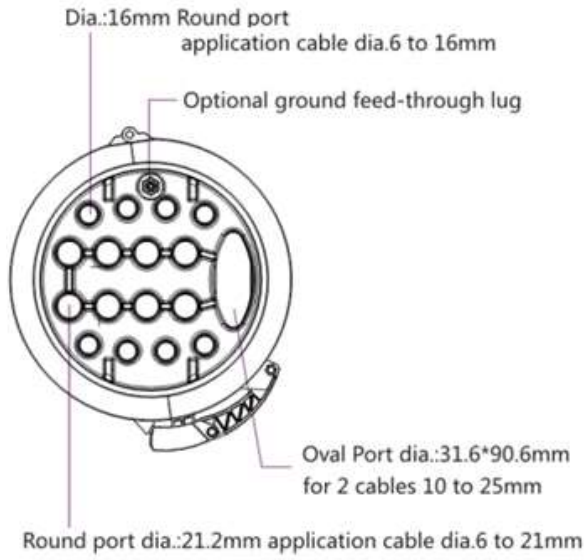
## GJS03-M4AX, max. 672 splices



### Parameter Table

<b>Model</b>	<b>GJS03-M4AX</b>
<b>Splice tray type</b>	<b>ST-MxAX</b>
<b>Product name</b>	<b>M4AX-576</b>
<b>KST product code</b>	7.6234/OSP
<b>Closure capacity</b>	576 fibers
<b>Maximum capacity</b>	672 fibers
<b>Splice tray holder material</b>	PP alloy
<b>Storage basket</b>	no
<b>Number of entry ports</b>	
- oval port:	1
- round port:	8 + 8
<b>Applicable cable diameter, mm</b>	
- oval port:	10 - 25mm
- round port:	8ports: 6 - 21mm 8ports: 6 - 16mm
<b>Number of splice trays</b>	48
<b>Splice tray capacity</b>	12 single fibers
<b>Splice protector position</b>	in the middle of the tray
<b>Number of splice protectors</b>	576
<b>Splice protector length</b>	40mm
<b>Dimension</b>	679 x 312mm

## Exterior Structure Diagram



## SOFIA / HEAD OFFICE /



Lulin 1 Region, 357 Slivnitza Blvd., Sofia 1336, Bulgaria



Mon-Fri 9:30 – 17:30



+359 2 927 72 54



+359 2 927 72 56



+359 2 927 72 56



sales@kst-bg.com



support@kst-bg.com



kst-bulgaria

## SKOPJE – MAKEDONIJA



Ul15-ti Korpus br.2, magacin br.8, Skopje, Makedonija /FERSPED AD,Sektor Javni i Carinski Skladista/



Mon-Fri 9:30 – 17:30



+389 23 101070



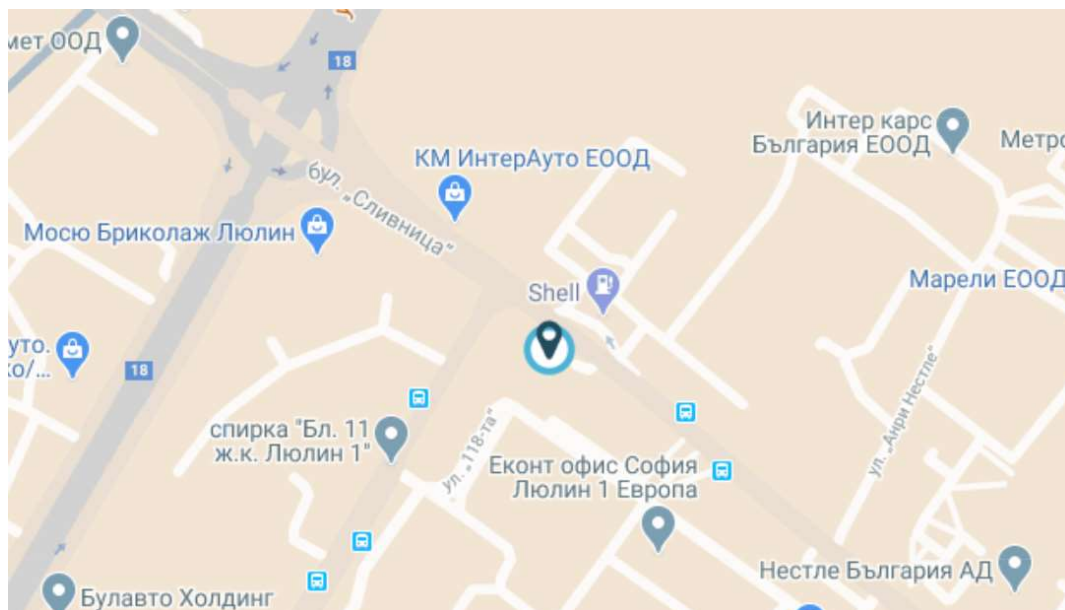
+359 2 927 72 56



sales@kst-bg.com



kst-bulgaria



## KST Ltd.

Address: 357 Slivnitza Blvd.,  
Sofia, Bulgaria

Tel: +359 2 927-72-56  
Fax: +359 2 927-00-14

Web: www.kst-bg.com  
E-mail: sales@kst-bg.com