

Customer Fiber Optic Wall Outlet



Application & Product Description

The wall mounted fiber optic outlet enables a fiber optic cable termination point to be presented within the end user home. The wall outlet can accommodate two fiber adaptors, either SC simplex or LC Duplex. Flange or flangeless adaptors can be housed, either recessed or protruding from the faceplate as required. Press fit strain relief features secure the incoming cable whilst cable tie anchor points are provided for additional strain relief. Fiber cables can enter through the base of the unit or through the rear.

Fiber management features ensure a minimum bend radius of 25mm is maintained as the bare fiber is routed through the outlet. Screw holes allow for easy installation and positioning. Alternatively, the recessed base means the unit can be fastened with adhesive or even hot glue, maintaining the outlet flush to the wall.

The wall outlet is made from ABS plastic with a quality design and surface finish. If required can be produced with special plastic components in order to have LSZH and Fire-Retardant features.

The cover can be customized with the network operator's logo. Tamper proof latches secure the cover to the base.

The unit can be supplied with adaptors and pigtails if required or even pre-terminated.

Technical Data

| Dimensions (mm) | Height | Width | Depth |
|-------------------------------------|------------------------------------|-------|-------|
| | | 85 | 85 |
| with Drop cable Overlength Rear box | 85 | 85 | 46 |
| Number and type of adaptors | 2x SC simplex 2x LC duplex | | |
| Maximum number of splices | 4 (up to 45mm) | | |
| Weight (kg) | 0,045 | | |
| Housing material | ABS | | |
| | ABS LSZH FR (required by customer) | | |
| Colour | Ral 9003 White | | |
| Mechanical IK protection | IK07 | | |
| Water&Dust IP protection | IP43 | | |

Features & Benefits

- Maximum capacity 2x SC simplex connectors or 2x LC duplex connectors
- Installed directly on the wall or onto a flush-mount back box
- Cable entry at the base of the unit or through the rear
- Recessed base use with adhesive or hot glue
- Can accommodate up to 4 fusion splice protectors (up to 45mm 2x double stack)
- Quality surface finish
- Tamper-proof latches
- Customer logo injected at the cover
- Customized full cover with customer design
- 50 units packing in a single carton box
- Engineered & Produced in EU (Portugal)

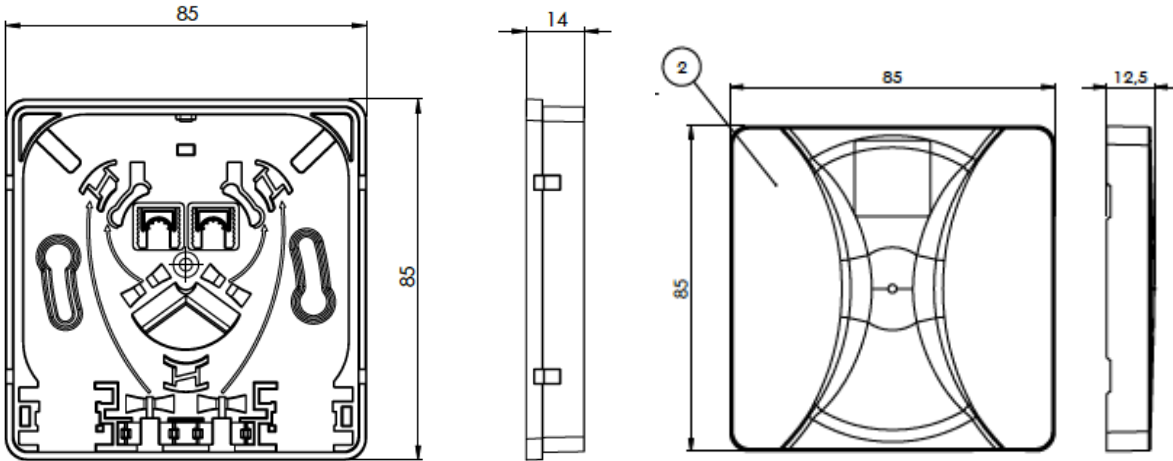
Standard Kit Accessories for 1, 2 or 4FO

- 2x Screws
- 2x Bushings
- 1, 2 or 4x Splice Sleeves 45mm
- 2x Cable ties
- 1x Laser Sticker

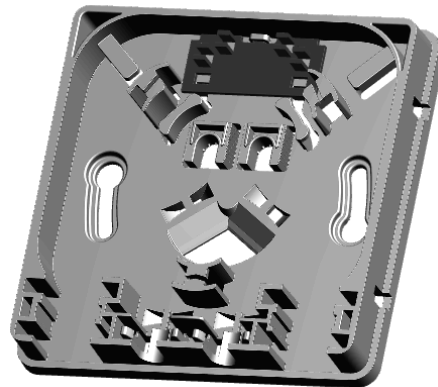
Options

- With front dust covers
 - Cable entry
 - Adapter
- Drop cable Overlength Rear box

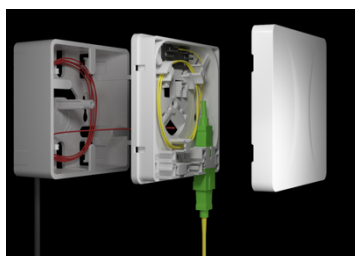
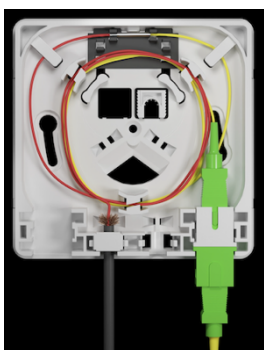
Technical Diagrams



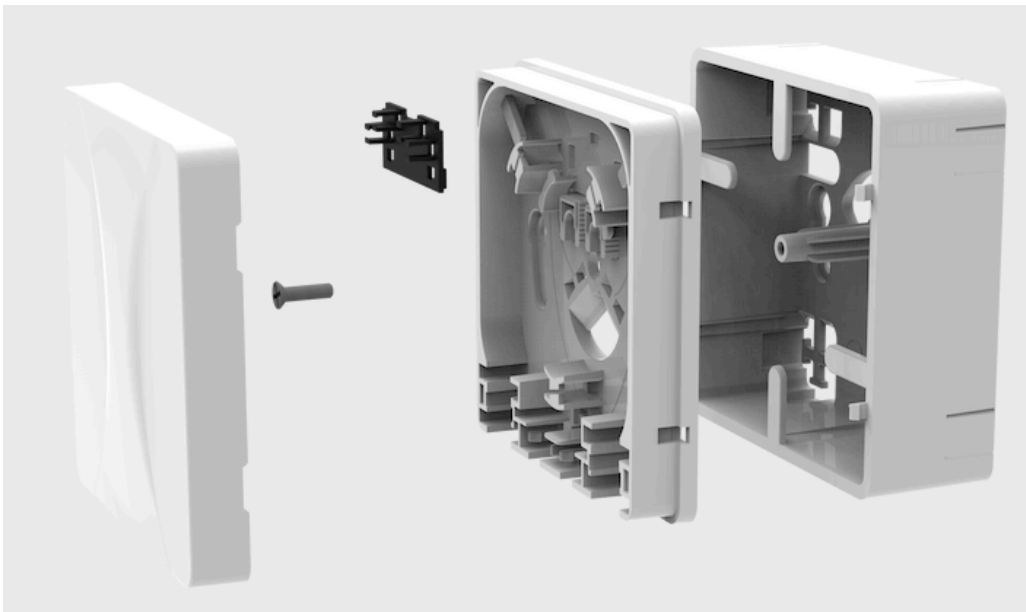
External view with dust covers (optional)



Internal view without dust covers

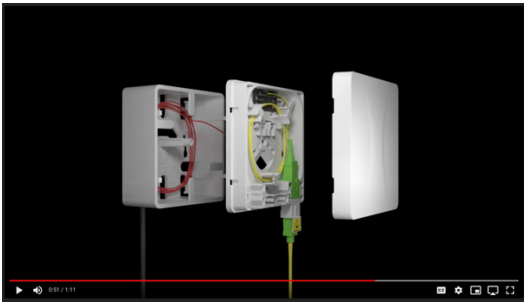


Drop cable Overlength Rear Box (optional accessory)



- Cable storage
 - 1,75mt 5mm cable
 - 2,50mt 3mm cable
 - Up to 20mts 0,9mm cable
- 2 entry point in every direction
- Bending radius protection
- Reduced size 85x85x46mm
- 30 units packing in a single carton box

Online demo vídeo



<https://drive.google.com/file/d/1yF848pUKT-5P1en09FEqofP4qA5LIHE2/view>

Description Customer Fiber wall outlet box with standard SC/APC adaptor & SC/APC pigtail G657A (30 units pack)

Part Number 1010010000026

Description Customer Fiber wall outlet box with shuttered SC/APC adaptor & SC/APC pigtail G657A (30 units pack)

Part Number 1010001000017

Description Customer Fiber wall outlet box with 1 splice kit accessory (50 units pack)

Part Number 1010001000011

Description Overlength rear box for Customer FO Wall Outlet (30 units pack)

Part Number 1010010000021

END OF TECHNICAL DATASHEET
V7_Proj FA112

