

## Fiber optic distribution box, DIN-12SC 7.6340/BOX

### Product Information

Fiber optic Din terminal box is available for the distribution and terminal connection for various kinds of optical fiber system, especially suitable for mini-network terminal distribution, in which the optical cables, patch cores or pigtails are connected.

### Features

- ❖ Standard size, light weight and reasonable structure
- ❖ Material: aluminum, ABS plastic splice tray
- ❖ Cable tray can be overturn, easy to manage
- ❖ Optional adapter and adapter plate
- ❖ Din guide rail, easy to install on rack panel in cabinets



### Application

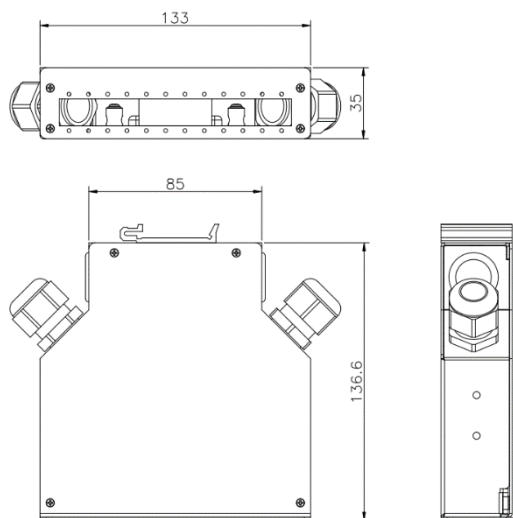
- ❖ FTTH, FTTB, FTTx
- ❖ Telecommunication Network
- ❖ Local Area Network
- ❖ CATV
- ❖ PON



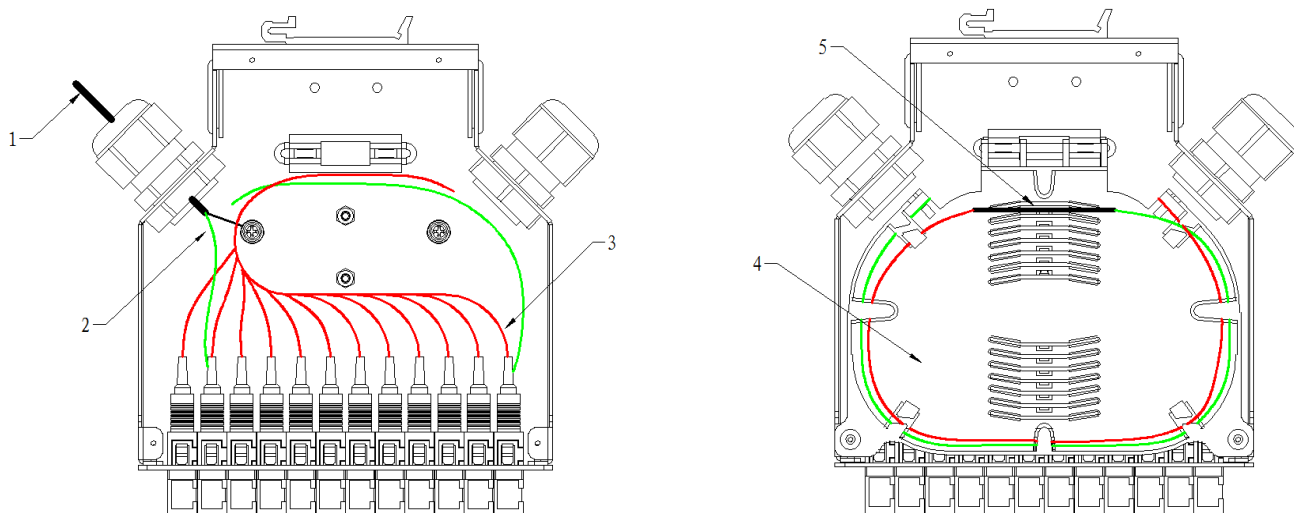
### Technical Specification

Model No.	No. of entry ports	Max. Capacity	PLC Splitter	Max. No. of adapters	Dimension (L x W x H)
DIN-12SC	4	24 fibers	-	12 SC Sx	133*136.6*35

### Dimensions



## Cable Manage



- 1. Fiber optic cable
- 2. stripping out optical fiber
- 3. fiber optic pigtail
- 4. splice tray
- 5. heat shrinkable protection sleeve

## KST Ltd.

Address: 357 Slivnitza Blvd.,  
Sofia, Bulgaria

Tel: +359 2 927-72-56  
Fax: +359 2 927-00-14

Web: [www.kst-bg.com](http://www.kst-bg.com)  
E-mail: [sales@kst-bg.com](mailto:sales@kst-bg.com)